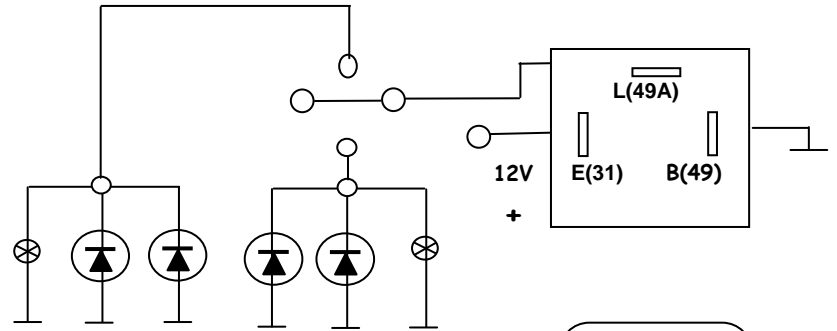
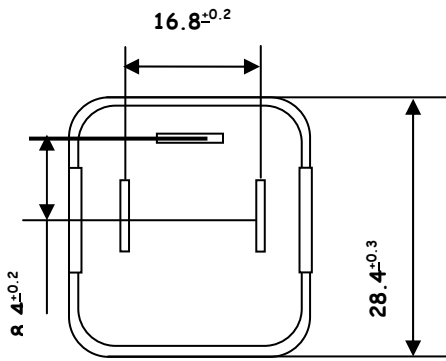
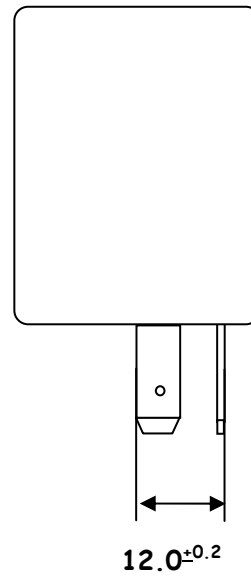
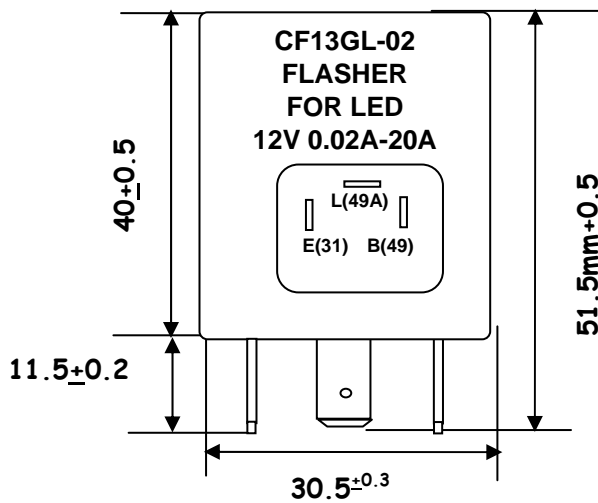
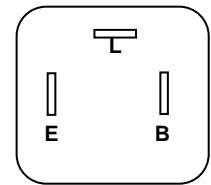


LED-RLY03 LED Flasher Unit

SPECIFICATIONS



L.E.D



MATERIAL

Base: Bakelite (yellow)

Fastons B、L: Cu Ni

Case: Nylon pa6,6 +15% Black

TECHNICAL CHARACTERISTICS

Nominal Voltage	Un	12V
Operating Voltage	Uop	11V...15V
Pull-in Voltage	Ui	≤11V@Tp
Test Voltage	Up	13V±0,2 Volt
Test Temperature	Tp	+20°C±2°C
Switch Current	An	0.02A-20A
Max. Current	Am	20A
Flashing Frequency	f	90 TIMES/min±10%
Operating Temperature	Top	-40°C...+80°C
Storage Temperature	Tsto	+100°C/2h
Life Time		200h/Wn CONTINUOUS/CONTINUO