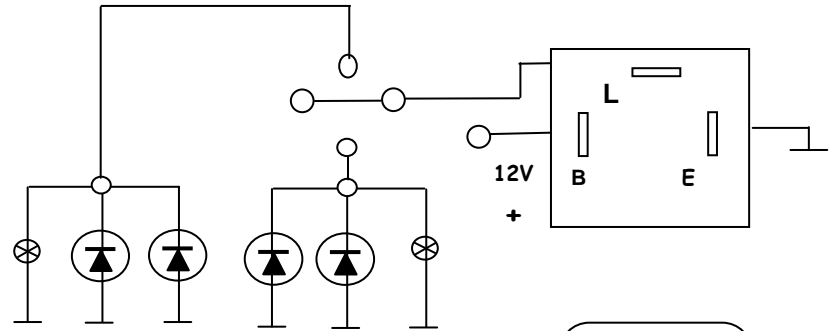
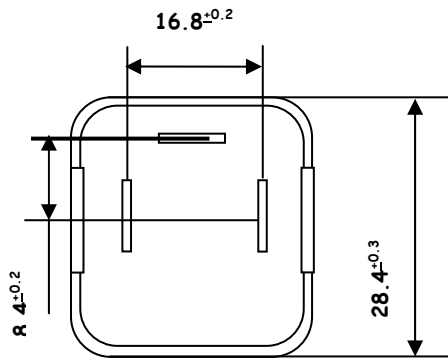
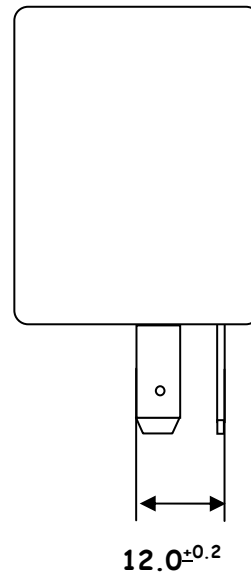
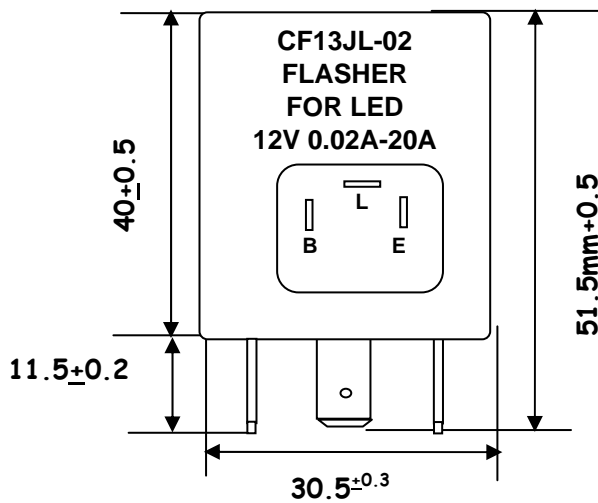
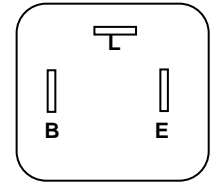


# LED-RLY02 LED Flasher Unit

## SPECIFICATIONS



L.E.D



### MATERIAL

Base: Bakelite (yellow) Fastons B□L: Cu Ni

Case: Nylon pa6,6 +15% Black

### TECHNICAL CHARACTERISTICS

Nominal Voltage	Un	12V
Operating Voltage	Uop	11V...15V
Pull-in Voltage	Ui	≤11V@Tp
Test Voltage	Up	13V±0,2 Volt
Test Temperature	Tp	+20□±2□
Switch Current	An	0.02A-20A
Max. Current	Am	20A
Flashing Frequency	f	90 TIMES/min±10%
Operating Temperature	Top	-40□...+80□

Storage Temperature	Tsto	+100□/2h
Life Time		200h/Wn CONTINUOUS/CONTINUO