

## RGBW/RGB/CCT/Dimming 4 Channel LED RF Controller

- Match with RF 2.4G single zone or multiple zone single color, dual color and RGB/RGBW remote control.
- One RF controller accept up to 10 remote control.
- 4096 levels 0-100% dimming smoothly without any flash.
- When using with RGB/RGBW light, built in 10 dynamic mode, include jump or gradual change style.
- Auto-transmitting function: Controller automatically transmit signal to another controller with 30m control distance.
- Synchronize on multiple number of controllers.
- Light on/off fade time 3s selectable.
- Connect with external push key to achieve on/off and 0-100% dimming function.
- Over-heat / Over-load / Short circuit protection, recover automatically.

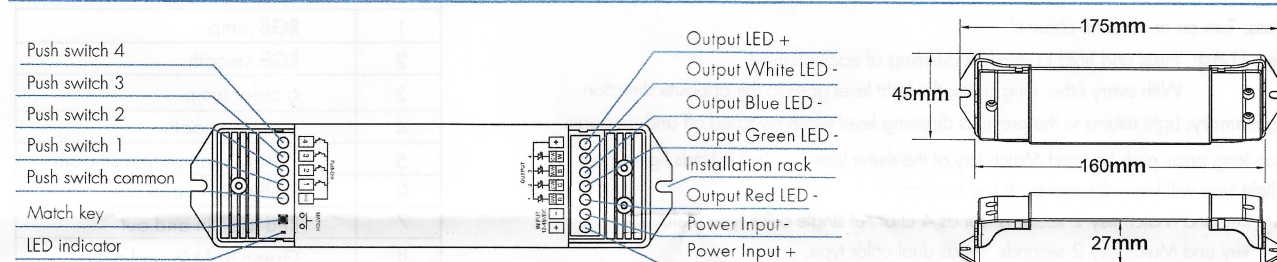


CE RoHS EMC LVD RED

### Technical Parameters

Input and Output		Dimming data		Safety and EMC	
Input voltage	12-48VDC	Input signal	RF 2.4GHz + Push Dim	EMC standard (EMC)	ETSI EN 301 489-1 V2.2.3
Input current	20.5A	Control distance	30m(Barrier-free space)	Safety standard(LVD)	ETSI EN 301 489-17 V3.2.4
Output voltage	4 x (12-48)VDC	Dimming gray scale	4096 (2 <sup>12</sup> ) levels	Radio Equipment(RED)	EN 62368-1:2020+A11:2020
Output current	4CH,5A/CH	Dimming range	0-100%	Certification	ETSI EN 300 328 V2.2.2
Output power	4 x (60-240)W	Dimming curve	Logarithmic	Package	CE,EMC,LVD,RED
Output type	Constant voltage	PWM Frequency	1000Hz (default)	Size	L178x W50 x H38mm
Warranty		Environment		Gross weight	0.144kg
Warranty	5 years	Operation temperature	Tc: -30 °C ~ +55 °C		
		Case temperature (Max.)	Tc: +85 °C		

### Mechanical Structures and Installations



### Match Remote Control (two match ways)

When match different color remote, the controller become different light type automatically.  
End user can choose the suitable match/delete ways. Two options are offered for selection:

#### Use the controller's Match key

Match:

Short press match key, immediately press on/off key (single zone remote) or zone key (multiple zone remote) of the remote.  
The LED indicator fast flash a few times means match is successful.

Delete:

Press and hold match key for 5s to delete all match,  
The LED indicator fast flash a few times means all matched remotes were deleted.

#### Use Power Restart

Match:

Switch off the power of the receiver, then switch on power, repeat again.  
Immediately short press on/off key (single zone remote) or zone key (multiple zone remote) 3 times on the remote.  
The light blinks 3 times means match is successful.

Delete:

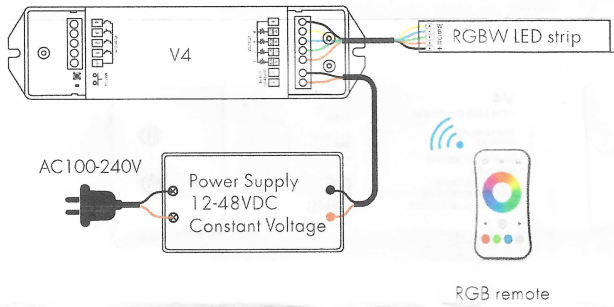
Switch off the power of the receiver, then switch on power, repeat again.  
Immediately short press on/off key (single zone remote) or zone key (multiple zone remote) 5 times on the remote.  
The light blinks 5 times means all matched remotes were deleted.

### Light on/off fade time

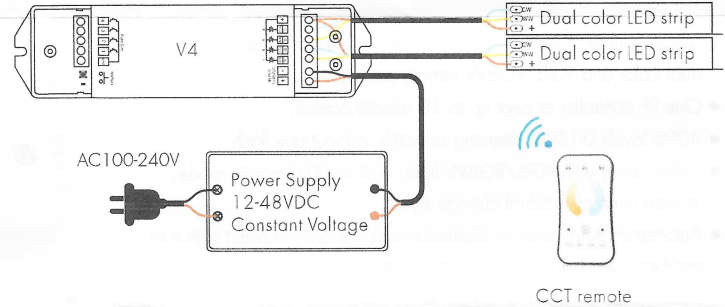
Long press match key 5s, then short press match key 3 times, the light on/off time will be set to 3s, the indicator light blink 3 times.

Long press match key 10s, restore factory default parameter, the light on/off time also restore to 0.5s.

• V4 for RGB/RGBW

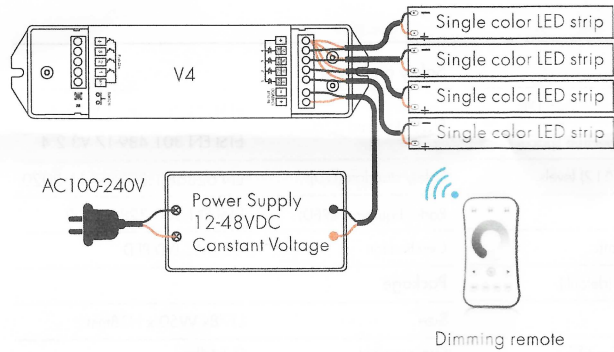


• V4 for dual color

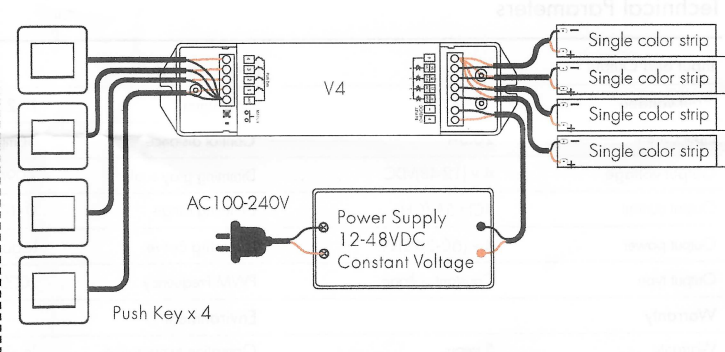


Note: If connect with RGB LED strip, please long press match key for 15s, the controller will become RGB type, the LED indicator blinks 2 time. (Long press match key for 10s will restore to RGBW type)

• V4 for single color



• V4 with four push key for 4 channel single color



Push-Dim control

The 4 push key have 4 channel dimming function defaultly.

- Short press: Turn on or off each channel.
- Long press (1-6s): Press and hold to step-less dimming of each channel, With every other long press, the light level goes to the opposite direction.
- Dimming memory: Light returns to the previous dimming level when switched off and on again.

You also can long push key and Match key at the same time to select 4 kinds light type, and each light type will have different push key function.

Long press 1 key and Match key 2 seconds, set as 4 channel single color type (default).

Long press 2 key and Match key 2 seconds, set as dual color type.

Long press 3 key and Match key 2 seconds, set as RGB type.

Long press 4 key and Match key 2 seconds, set as RGBW type.

at this time, if the light type has set as dual color, RGB or RGBW, match remote will not change light type.

If you want to cancel light type set, please long press Match key 10 seconds to restore factory setting.

RGB/RGBW dynamic mode list

No.	Name
1	RGB jump
2	RGB smooth
3	6 color jump
4	6 color smooth
5	Yellow cyan purple smooth
6	RGB fade in and out
7	Red fade in and out
8	Green fade in and out
9	Blue fade in and out
10	White fade in and out

Single color (4 CH)	1 key	Short press turn on/off 1 channel, long press 1-6s dim up/down
	2 key	Short press turn on/off 2 channel, long press 1-6s dim up/down
	3 key	Short press turn on/off 3 channel, long press 1-6s dim up/down
	4 key	Short press turn on/off 4 channel, long press 1-6s dim up/down
Dual color	1 key	Short press turn on/off light, long press 1-6s dim up/down
	2 key	Short press 3 levels color temperature (WW, NW, CW), long press 1-6s color temperature up/down
	3 key	Invalid
	4 key	Invalid
RGB	1 key	Short press turn on/off light, long press 1-6s dim up/down
	2 key	Short press change dynamic mode, long press 2s to set speed (1-10 levels)
	3 key	Short press change static RGB color (24 levels), long press 1-6s adjust saturation
	4 key	Invalid
RGBW	1 key	Short press turn on/off light, long press 1-6s dim up/down
	2 key	Short press change dynamic mode, long press 2s to set speed (1-10 levels)
	3 key	Short press change static RGB color (24 levels), long press 1-6s adjust saturation (W off)
	4 key	Short press turn on/off W channel (4 channel), long press 1-6s dim up/down (RGB off)