

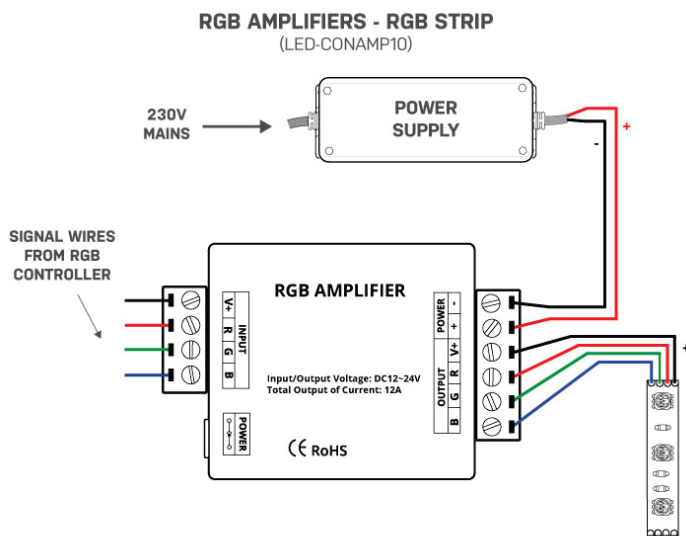
## AMPLIFIER WIRING

### LED-CONAMP10

An RGB amplifier/repeater is required when running more RGB product than a single RGB controller is rated for. The excess is run through this RGB amplifier with a separate power supply, but the signal comes from the one controller. As many of these RGB amplifiers can be used as required. It has 3 high-power channels capable of driving up to 3.3A per channel (10A total), and can be run from 12 to 24V DC.

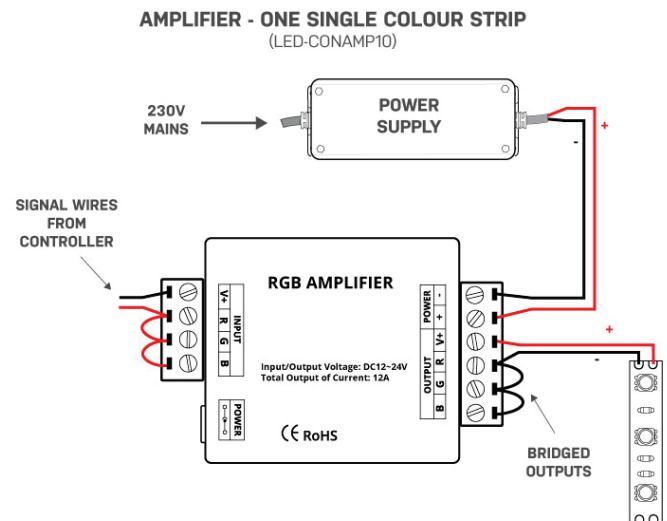
### RGB 3 Channel Wiring

The amplifier takes the 4-wire signal from the RGB controller and drives a second lot of strip, typically from a second power supply.



### Single Channel Wiring

This amplifier can also be used for single colour LED lighting, such as strip light, controlled from a dimmer or flasher unit. Where you would normally have the second and third channel input & outputs, wires are just looped through to combine the three channels into one. This way you still utilise the full 10A capacity of the amplifier.



### Safety

It is recommended that any electrical work be performed by a registered electrician. If you will be attempting any work yourself, please review the NZECP 51 - Electrical Code of Practice for Homeowners document on the Energy Safety website. Go to [worksafe.govt.nz](http://worksafe.govt.nz) and search for "ECP 51".