

LED DOWNLIGHT INSTALLATION

IMPORTANT:

- Read these instructions before commencing installation. Retain for future reference.
- This product is suitable for indoor use only.
- Insulation material can cover this Down Light.
- This product is suitable for use with building insulation that can safely be continually exposed to temperatures up to 90°C and withstand a 30s needle flame test carried out in accordance with AS/NZS 60695.11.5 with a flame applied to all surfaces of the sample. Glass fibre insulation is a suitable insulation to be abutted to this luminaire.

ALWAYS: ISOLATE (TURN OFF) MAINS SUPPLY BEFORE CONNECTING THE LED DRIVER

CAUTION:

- Mains Voltage LED Driver: 230VAC, 50Hz.
- Ensure the mains electricity supply is switched off before commencing installation. Recessed luminaires and their auxiliary equipment may pose a risk of fire or damage to property if not installed and maintained correctly.
- If you have any doubts about your ability to conduct the wiring work safely or about the method of installing light fittings, please employ a licensed electrical worker to carry out the installation for you. Failure to wire correctly may result in electrical shock injury or a fatality.

TECHNICAL DATA:

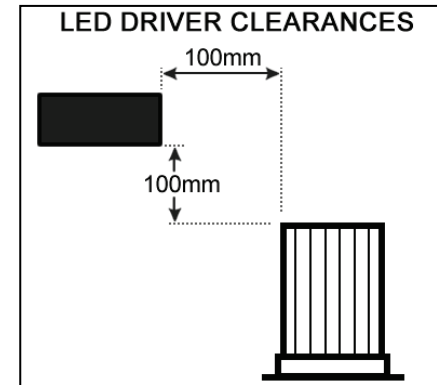
	LED-DLN07XX	LED-DLN10XX	LED-DLN13XX	LED-DLN15XX	LED-DLIP07XX
Hole Cut-out	75mm (70-78mm)	95mm (85-100mm)	95mm (85-100mm)	120mm (120-125mm)	75mm (70-78mm)
Driver Working Voltage	180-240VAC (50/60Hz)	180-240VAC (50/60Hz)	180-240VAC (50/60Hz)	180-240VAC (50/60Hz)	180-240VAC (50/60Hz)
Downlight Voltage	~22.0V DC (0.3A)	~28.6V DC (0.3A)	~37.5V DC (0.3A)	~37.5V DC (0.4A)	~22.0V DC (0.3A)
Total Power (Current)	7W (0.04A)	10W (0.05A)	13W (0.06A)	15W (0.07A)	7W (0.04A)
Driver Power Factor	> 0.91	> 0.91	> 0.91	> 0.91	> 0.91
Working Temperature	0 - 45°C	0 - 45°C	0 - 45°C	0 - 45°C	0 - 45°C

INSTALLATION:

1. Cut a hole in the ceiling with a preferred diameter according to the technical data table.
2. Connect the LED Driver to an enclosed terminal block if required (Not supplied).
3. Connect mains supply to the terminal block or driver (N, Neutral, Blue), (L, Live, Brown).
4. Connect the LED Down Light to the LED driver via the supplied connector (If required).
5. Swing both retaining clips upwards and insert into the cut-out in the ceiling. Ensure no leads are trapped.
6. Push the Down Light upwards to 'snap' firmly in position (see diagram).
7. Restore mains power.

DRIVER LOCATION:

- The LED Driver should be installed above the building insulation material.
- The LED Driver must be a minimum of 100mm away from any part of the luminaire at all times.
- We recommend locating the LED Driver on the nearest joist, beam or ceiling batten above the level of the building insulation.



CLASSIFICATION:



Luminaire Classification: **IC** (Insulation Cover)

RISK OF FIRE Required clearance from structural members and building elements

SCB = 20 mm, HCB = 50 mm

- **SCB** - Minimum side clearance to building element
- **HCB** - Minimum clearance to building element from top of luminaire to building element above

