

# LED SPECIFICATION



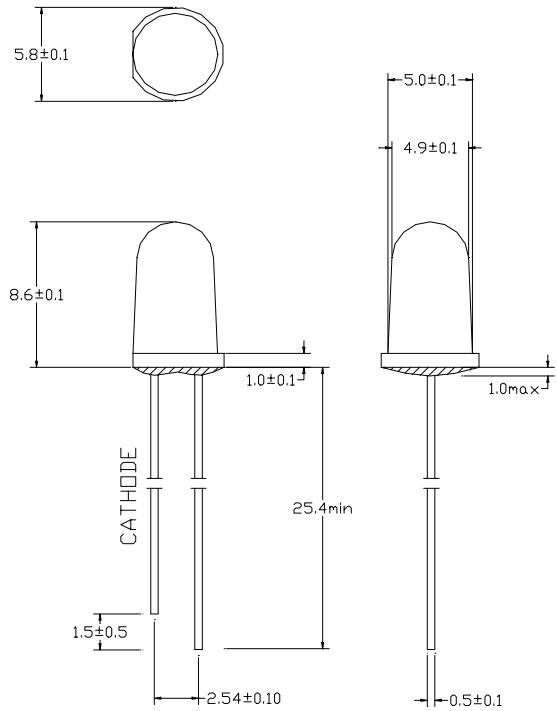
**ATTENTION**  
OBSERVE PRECAUTIONS  
FOR HANDLING  
ELECTROSTATIC  
DISCHARGE  
SENSITIVE  
DEVICES

## Features:

- Single color
- High Radiant Flux
- Low power consumption
- High reliability and long life

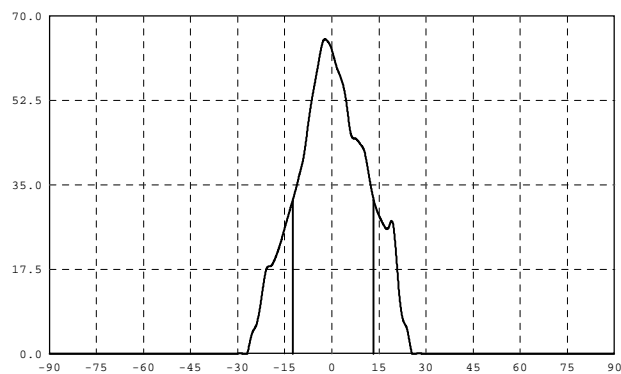
## Descriptions:

- Dice material: INGaN
- Emitting Color: Ultraviolet
- Device Outline:  $\phi$  5mm Round Type
- Lens Type: Water Clear



### Note:

- All dimensions are millimeters.
- Tolerance is  $\pm 0.25 \text{mm}$  unless otherwise noted



# LED SPECIFICATION

## Absolute maximum ratings (Ta = 25°C)

Parameter	Symbol	Test Condition	Value		Unit
			Min.	Max.	
Reverse Voltage	V <sub>R</sub>	I <sub>R</sub> = 30 μ A	5	--	V
Forward Current	I <sub>F</sub>	----		30	mA
Power Dissipation	P <sub>d</sub>	----	----	105	mW
Pulse Current	I <sub>peak</sub>	Duty=0.1mS, 1kHz	----	100	mA
Operating Temperature	T <sub>opr</sub>	----	-20	+85	°C
Storage Temperature	T <sub>str</sub>	----	-25	+100	°C

## Electrical and optical characteristics (Ta = 25°C)

Parameter	Symbol	Test Condition	Value			Unit
			Min.	Typ.	Max.	
Forward Voltage	V <sub>F</sub>	I <sub>F</sub> = 20mA	3.0	3.7	4.0	V
Reverse Current	I <sub>R</sub>	V <sub>R</sub> = 5V	----	----	30	μ A
Dominate Wavelength	λ <sub>d</sub>	I <sub>F</sub> = 20mA	400	---	405	nm
Spectral Line half-width	Δ λ	I <sub>F</sub> = 20mA	----	25	----	nm
Radiant Flux	I <sub>v</sub>	I <sub>F</sub> = 20mA	----	12	----	mW
Viewing Angle	2 θ 1/2	I <sub>F</sub> = 20mA	28		35	Deg.

# LED SPECIFICATION

Typical electrical/optical characteristic curves:

